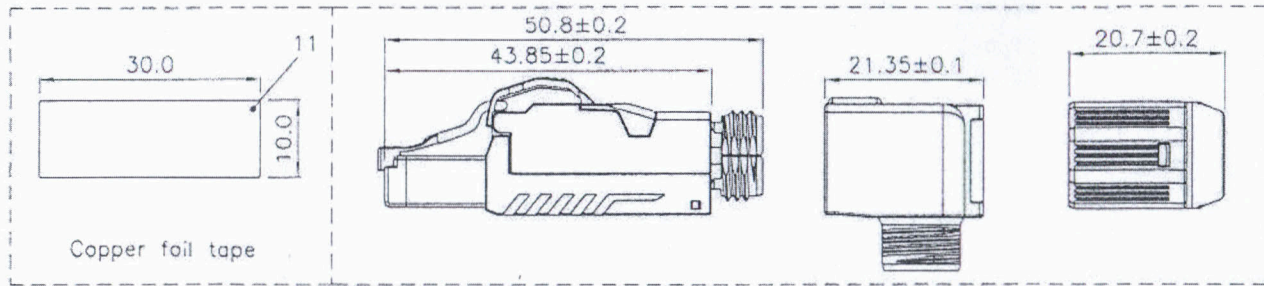
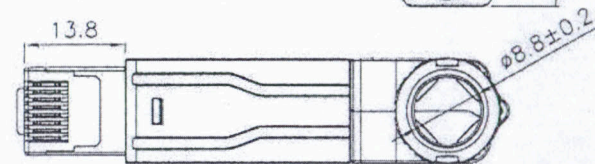
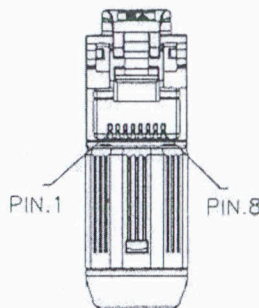
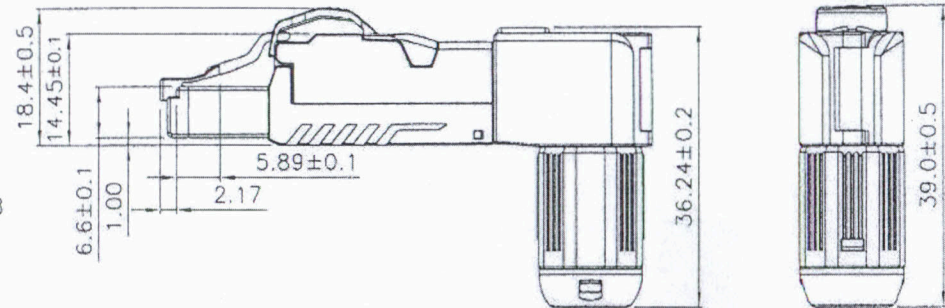
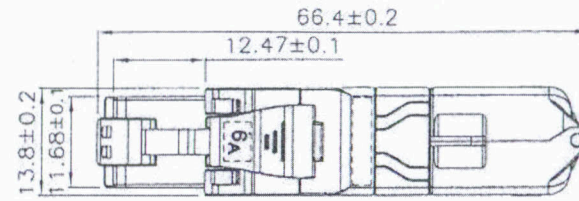


SCALE 1/1



Copper foil tape

Specification :

Material :

1. Extractor : PC, UL 94V-2, black color.
2. Housing : Zinc die-Casting with nickel plated.
3. RJ45 plug :
 - 3-1. Housing : PC, UL 94V-2, transparent yellow color.
 - 3-2. Contact material : Phosphor bronze with 100 micro-inch nickel plated.
 - 3-3. Contact finish : Min. 50 micro-inch gold plated on surface contact area.
4. Cover : Zinc die-casting with nickel plated.
5. Wire management bar : PC, UL 94-V2, white color.
6. IDC :
 - 6-1. Housing : PC, UL 94-V2, white color.
 - 6-2. Terminal : Titanium copper with tin plated.
7. Grounding contact : Zinc die-casting with nickel plated.
8. Boot :
 - 8-1. Housing : Zinc die-casting with nickel plated.
 - 8-2. SR : PC, UL 94V-2, transparent color.
 - 8-3. CAP : PC, UL 94V-2, black color.
9. Angle cap : Zinc die-casting with nickel plated.
10. PCB, UL 94-V0.
11. Copper foil tape.
12. Dust cap : PE, black color.

Performance :

- a. T568A & T568B wiring.
- b. Insertion force : 30N max. (IEC 60603-7-5).
- c. Retention strength : 7.7 kg between jack and plug.
- d. Operating temperature : -10°C to 60°C. (ISO/IEC 11801, ANSI/TIA 568 C.2).
- e. Life(mating cycles) :
 - e-1. 750 cycles min. (ISO/IEC 11801, IEC 60603-7-5).
 - e-2. IDC : Suitable for 23-26AWG stranded and solid wire, min. 20 installation cycles.
- f. Suitable for cable jacket OD : 6.0-7.5mm.

GENERAL TOLERANCE OF DIMENSIONS
 X.XXX ±0.005
 X.XX ±0.05
 X.X ±0.1

DRAWING			
CHECK			
APPROVAL			
	DATE	NAME	ITEM NO.:
SCALE	1/1 (A4)	UNIT	mm
	DRAWING NO.		
	DRAWING CLASSIFICATION		S SHEET 1 OF 1

E.E.C. VIALI

DES.: CAT.6A full shielded field termination plug

